



TUBA 1" 1/4

FLOAT LEVEL DETECTOR

For detection with one or several devices according to the use

It is always recommended placing a switch as an ALARM



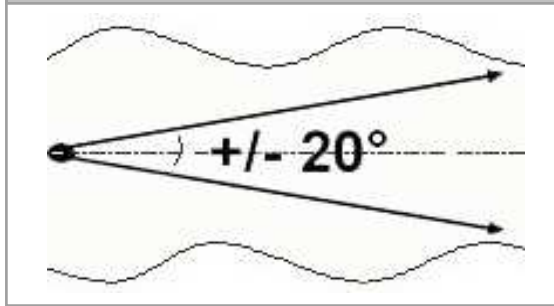
USE

VR - Emptying / Filling

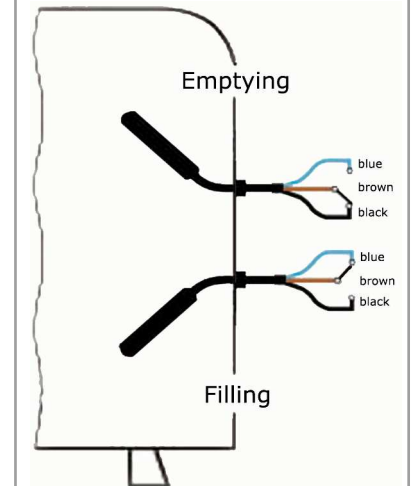
SIZE

Height: 160 mm - Diameter: 36 mm

DIFFERENTIAL ANGLE



WIRING



Please, refer to the connection diagram enclosed to each float delivered.

APPLIANCES

Suitable for level detection of liquids in tanks, cisterns, reservoirs and others, such as automatic regulation of pumps and «ALARM» level detection. Highly recommended for industrial uses. The 1"1/4 diameter enables getting a cut-out power more important compared to the TUBA 1" one.

TECHNICAL CHARACTERISTICS

Operation mode	Omnidirectional
Allowed fluid density	0,75 to 1,50
Maximum pressure	5,5 bars
Maximum temperature	85°C
Protection index	IP 68 <input type="checkbox"/>
Electric characteristics	250 VAC- 50/60 Hz
Cut-out power	12 (6) A (12 A resistive - 6 A inductive)
Microswitch	Silver / nickel reverser contacts
Cylindrical shape	Copolymer polypropylene
Cable	Neoprene - A05RN8-F
Cable type	3 conductors 0,75 mm ²
Float weight without cable	75 g
Cable weight	Neoprene 55 g/m
Adjustable ballast on cable (option)	Loaded resin 175 g
Standard cable length (series)	2, 3, 5, 10 and 20m (other lengths on request)



ATMI - Z.A. de l'Observatoire - 2 avenue des Bosquets - 78180 Montigny le Bretonneux - France

Tél: +33 (0)1 61 37 35 60

Fax: +33 (0)1 61 37 35 69

Site Internet: www.atmi.fr

E-Mail: info@atmi.fr